

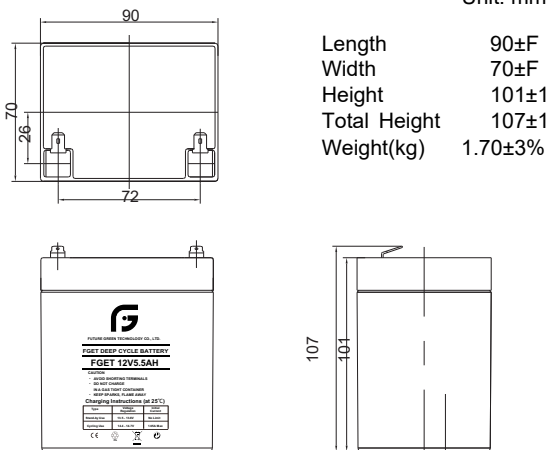
GENERAL FEATURES

- **Long Service Life** - Thick plate design and efficient gas recombination yield a service life expectancy of up to 10 years in standby mode.
- **Low Internal Resistance** - Superb high-rate discharge characteristics ensure reliable performance in UPS and Telecom applications.
- **Maintenance-Free, Non-Spillable** - Proven VRLA technology guarantees safe operation without maintenance and 'non-restricted article' status for transportation.
- **Low Self-Discharge** - Lead-calcium alloy grids and use of high purity lead account for superior shelf-life characteristics permitting storage for extended periods of time.
- **Designed-In Reliability** - Cutting-edge manufacturing and process control combined with meticulous quality assurance procedures guarantee consistent and dependable performance

PERFORMANCE SPECIFICATIONS

Nominal Voltage	12V(6 cells)	
Design Floating Life @25°C	12 Years	
Nominal Capacity @25°C	20 hour rate 0.275A to 10.50V	5.50Ah
	10 hour rate 0.529A to 10.50V	5.29Ah
	5 hour rate 0.948A to 10.20V	4.74Ah
	3 hour rate 1.485A to 9.90V	4.46Ah
	1 hour rate 3.508A to 9.60V	3.51Ah
Internal Resistance	Full Charged Battery@25°C <35mΩ	
Energy Density (20-hr. rate)	97.91W-h/l	
Specific Energy (20-hr. rate)	38.82W-h/kg	
Shelf Life (nominal capacity at 20°C)	1 Month	97%
	3 Months	91%
	6 Months	83%
Max.Discharge Current@25°C	7 Min.	16.5A
Max Short-Duration Discharge Current	10 Sec	55.0A
Standby Use Charge (Constant Voltage) @25°C	Initial Charging Current Less than 1.65A Voltage 13.7 - 13.9V	
	Cycle Use Charge (Constant Voltage) @25°C	
Operating Temperature Range	Charge	0°C to 50°C
	Discharge	-20°C to 60°C

GENERAL FEATURES mm

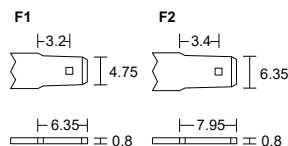


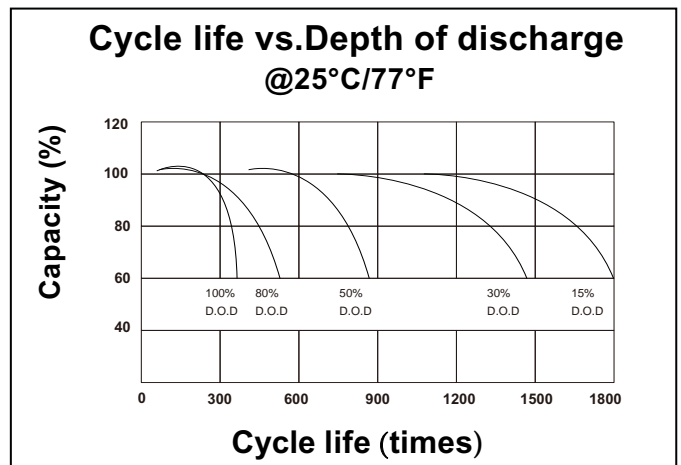
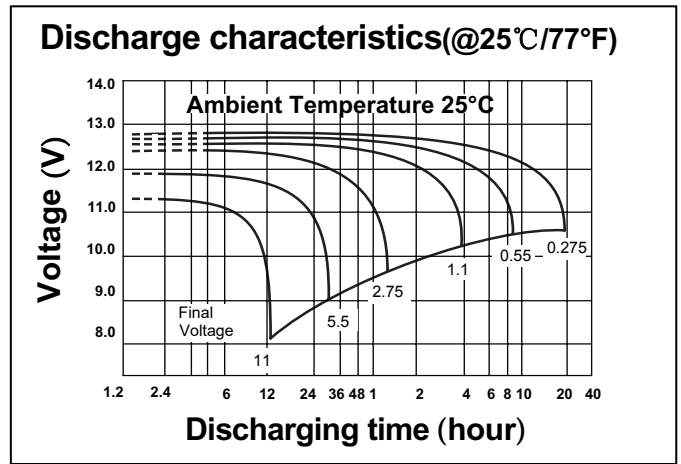
TERMINALS mm

- F1 - Quick disconnect tabs, 0.187" x 0.032" - Mate with AMP. INC. FASTON "187" series

— OR —

- F2 - Quick disconnect tabs, 0.250" x 0.032" - Mate with AMP. INC FASTON "250" series





CONSTANT CURRENT DISCHARGE RATINGS (Amperes at 25°C)

F.V/Time	5MIN	10MIN	15MIN	30MIN	1HR	2HR	3HR	4HR	5HR	8HR	10HR	20HR
1.60V	21.81	14.22	10.49	6.072	3.508	2.070	1.505	1.198	1.011	0.676	0.550	0.286
1.65V	21.02	13.80	10.22	5.938	3.443	2.040	1.485	1.183	1.000	0.669	0.545	0.284
1.70V	19.99	13.24	9.855	5.762	3.357	1.999	1.458	1.164	0.984	0.660	0.538	0.281
1.75V	18.68	12.52	9.385	5.531	3.244	1.946	1.423	1.137	0.964	0.648	0.529	0.277
1.80V	17.02	11.60	8.780	5.232	3.096	1.876	1.376	1.103	0.936	0.632	0.517	0.272
1.85V	14.97	10.454	8.015	4.850	2.906	1.785	1.315	1.057	0.900	0.611	0.500	0.264