



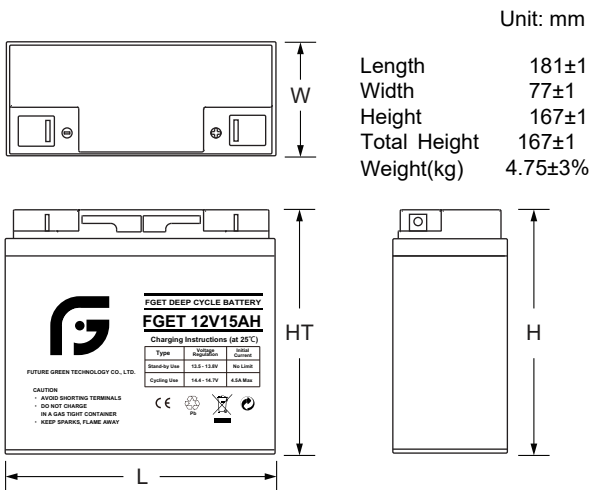
GENERAL FEATURES

- **Long Service Life** - Thick plate design and efficient gas recombination yield a service life expectancy of up to 10 years in standby mode.
- **Low Internal Resistance** - Superb high-rate discharge characteristics ensure reliable performance in UPS and Telecom applications.
- **Maintenance-Free, Non-Spillable** - Proven VRLA technology guarantees safe operation without maintenance and 'non-restricted article' status for transportation.
- **Low Self-Discharge** - Lead-calcium alloy grids and use of high purity lead account for superior shelf-life characteristics permitting storage for extended periods of time.
- **Designed-In Reliability** - Cutting-edge manufacturing and process control combined with meticulous quality assurance procedures guarantee consistent and dependable performance

PERFORMANCE SPECIFICATIONS

Nominal Voltage	12V(6 cells)	
Design Floating Life @25°C	12 Years	
Nominal Capacity @25°C	20 hour rate 0.75A to 10.50V	15.00Ah
	10 hour rate 1.43A to 10.50V	14.30Ah
	5 hour rate 2.73A to 10.20V	13.65Ah
	3 hour rate 6.08A to 9.90V	18.24Ah
	1 hour rate 12.48A to 9.60V	12.48Ah
Internal Resistance	Full Charged Battery@25°C <18mΩ	
Energy Density (20-hr. rate)	77.34W-h/l	
Specific Energy (20-hr. rate)	37.89W-h/kg	
Shelf Life (nominal capacity at 20°C)	1 Month	97%
	3 Months	91%
	6 Months	83%
Max.Discharge Current@25°C	7 Min.	45.0A
Max Short-Duration Discharge Current	10 Sec	150.0A
Standby Use Charge (Constant Voltage) @25°C	Initial Charging Current Less than 4.50A Voltage 13.6-13.8 V	
	Cycle Use Charge (Constant Voltage) @25°C Initial Charging Current Less than 4.50A Voltage 14.4-14.9V	
Operating Temperature Range	Charge	0°C to 50°C
	Discharge	-20°C to 60°C

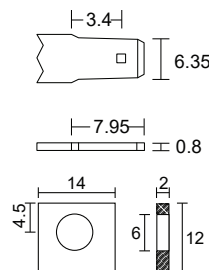
GENERAL FEATURES

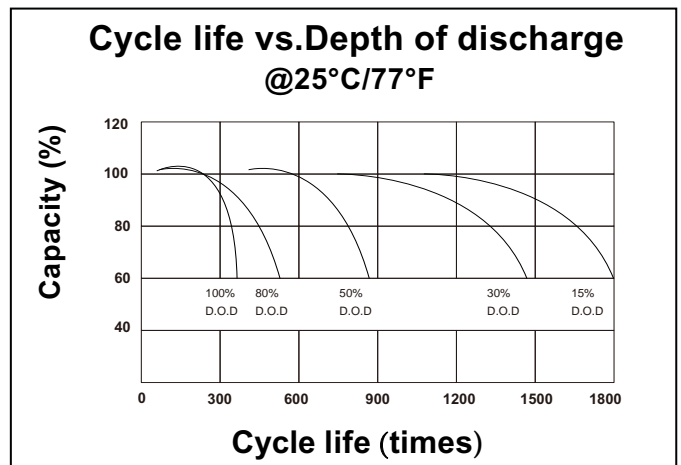
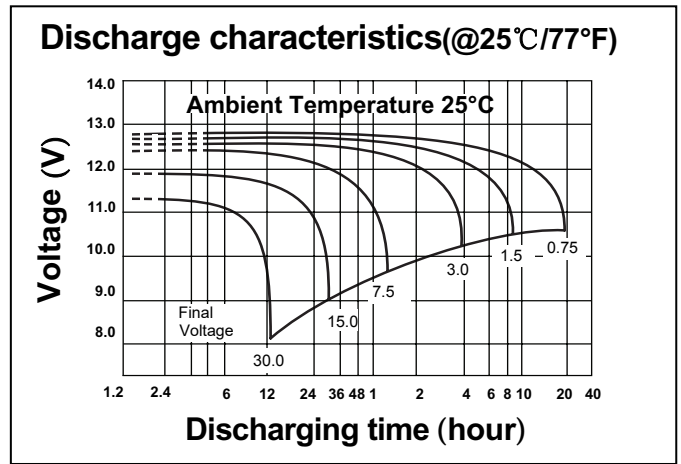


TERMINALS

mm

- F2: Quick disconnect AMP, INC. Faston tabs, 0.250" x 0.032"
- NB2: Tin plated brass post with nut & bolt connectors





CONSTANT CURRENT DISCHARGE RATINGS (Amperes at 25°C)

F.V/Time	5MIN	10MIN	15MIN	30MIN	1HR	2HR	3HR	4HR	5HR	8HR	10HR	20HR
9.60V	62.17	39.25	28.83	17.11	12.48	9.79	6.19	4.24	2.83	1.9	1.5	0.79
10.0V	58.83	37.67	28.17	16.83	12.28	9.48	6.08	4.16	2.78	1.86	1.48	0.78
10.2V	55.75	35.58	27.83	16.6	12.12	9.18	5.96	4.09	2.73	1.83	1.46	0.77
10.5V	53.17	33.92	26.33	16.05	11.8	8.89	5.85	4.01	2.68	1.81	1.43	0.75
10.8V	49.08	31.58	24.58	15.41	11.41	8.63	5.63	3.86	2.58	1.76	1.41	0.74